



ELT AF/AP 406!



Emergency Locator Transmitter AVMM ELT AF/AP 406

The AVMM ELT AF/AP 406 is an aeronautical survival beacon designed for liferafts.

This new generation of ELT complies with the latest regulation and offers all the improvements of the COSPAS-SARSAT system with the 406 MHz frequency :

- Global coverage
- Precise pinpointing
- Identification of the aircraft in distress (the ELT transmits a unique aircraft identification number)
- Efficient process of false alarms to avoid costly search and rescue operations

The AVMM ELT AF/AP 406 transmits on all 3 emergency frequencies (121.5/243.0 and 406 MHz). The ELT is automatically activated during a crash and transmits the standard swept tone on 121.5 and 243.0 MHz. Every 50 seconds for 440 milliseconds the 406.025 MHz transmitter turns on and transmits an encoded digital message to satellite system.

The ELT AVMM ELT AF/AP 406 is programmed with either the aircraft tail number, a serial number or the aircraft operator designator. This operation takes only a few seconds. An integrated "self test" checks the main functions of the beacon.



The AVMM ELT AF/AP-406 transmits on all 3 emergency frequencies (121.5/243.0 and 406 MHz). The ELT automatically activates during a crash and message to the Cospas/Sarsat satellite system. The ELT can be programmed with the aircraft's 24-bit address. AVMM ELT AF/AP-406 meets existing and future standards for search and rescue.



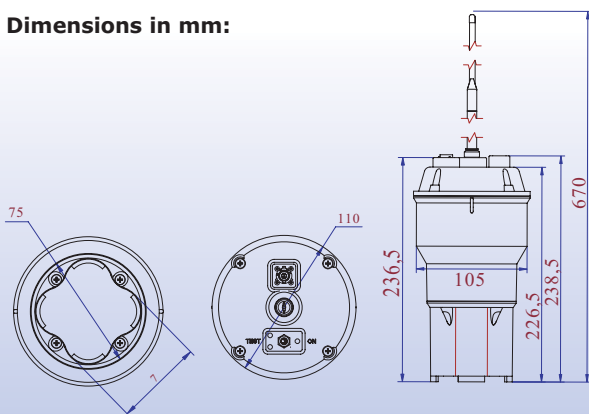
Emergency Locator Transmitter fully complies with:

COSPAS-SARSAT C/S T.001 Specification;
FAA TSO-C91a and TSO-C126 standards;
EUROCAE ED-62
RTCA DO-204, DO-103
KT-23-01

Installation:

Equipment installed in rear passenger cabin or upper rear fuselage.

Dimensions in mm:



Technical specification:

| | |
|---------------------|---|
| Frequencies: | 406, 121,5/243 MHz |
| Radiated power: | |
| in 406MHz channel | 5W |
| in 243MHz channel | 100 mW |
| in 121,5MHz channel | 100 mW |
| Operation time: | 24 hours at 406MHz, -40C 48 hours at 243, 121,5MHz, -40C |
| Power supply unit: | Lithium, P/N: PS-3 |
| Temperature range: | |
| operating: | -40C...+55C |
| storage: | -40C...+85C |
| Weight: | 1.2kg |
| Activation: | Automatic/Manual |
| Selftest: | Operation test, channels test |
| Auxiliary antenna: | Whip, P/N AW-1, AW-2 |
| G-Switch | Mechanical |
| ELT case: | Case |
| Warranty: | 5 years |
| Coding: | |

ELT can be coded using any PC by PR-1 remote coding tool and EltPro 1.2 Software.

Compatible with the 4 Cospas-Sarsat protocols.

Maintenance:

The manufacturer recommends annual complete check up unless otherwise legislated by national authorities.



JSC AVIONIKA

29-B, Vorovskogo St., Kyiv, 01054, Ukraine

Tel: +38 044 2446379

E-mail: L.Antonov@avionika.com

Web: www.avionika.com

Agent/Distributor:

